

# 100 & 200 Wire Management Solutions

SnapNrack 100 Roof Mount & 200 Ground Mount Wire Management Solutions comprise a set of dedicated products to reliably and cost effectively secure PV module and microinverter leads. All products are made of materials which have been selected for their high UV exposure capability and ability to handle extreme rooftop temperatures common under solar arrays.

The SnapNrack UL listed Junction Box provides a quick and easy installation utilizing snap-in features and NEMA 4x rating, to conceal and protect electrical connections. It is expertly designed to be 6" x 5" x 3" and fully integrated with DIN rail mounts inside. Large enough for wire management but small enough to be adaptable to any mounting configuration.

The 4-Wire Clamp and Trunk Cable Clamp offers a strong and reliable solution for securing either 1-4 PV conductor cables or 1-2 Micro-Inverter AC trunk cables along SnapNrack Rail Channels, transitioning in and out of channels, and even routing across rails. Wire Retention Clips allow you to quickly secure PV conductor and AC trunk lines into our standard rail channels.

Combining these solutions will not only provide a high quality wire management solution for the life of the system, but will provide a faster and easier installation.

## Full Wire Management Solution Includes:

- Junction Box
- 4-Wire Clamp
- Trunk Cable Clamp
- Wire Retention Clip
- Standard Rail Channel



## Features Include



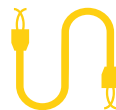
Snap in  
Hardware



Single Tool  
Installation



No Cutting  
or Drilling



Integrated Wire  
Management

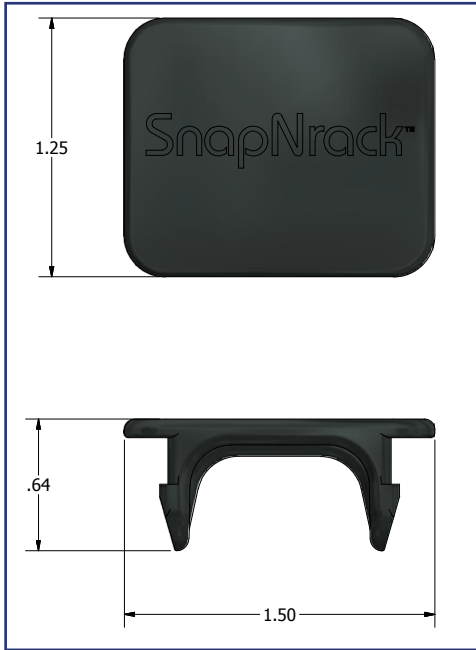


Preassembled  
hardware

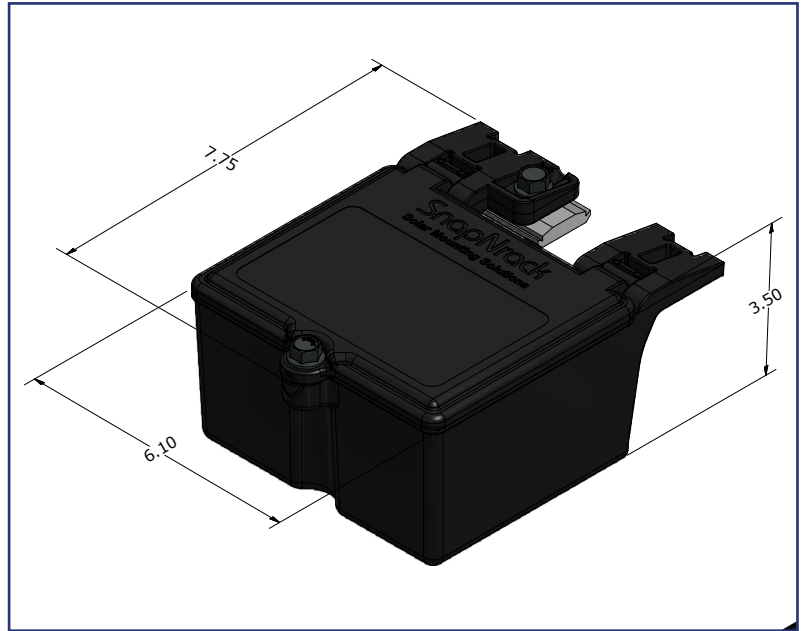


UL 2703  
Certified

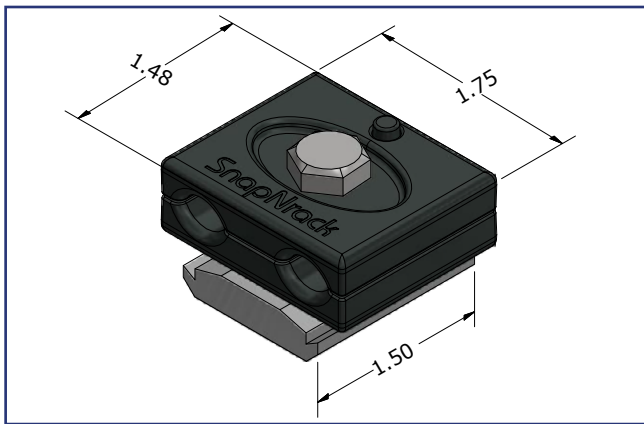
### Wire Clip Dimensions



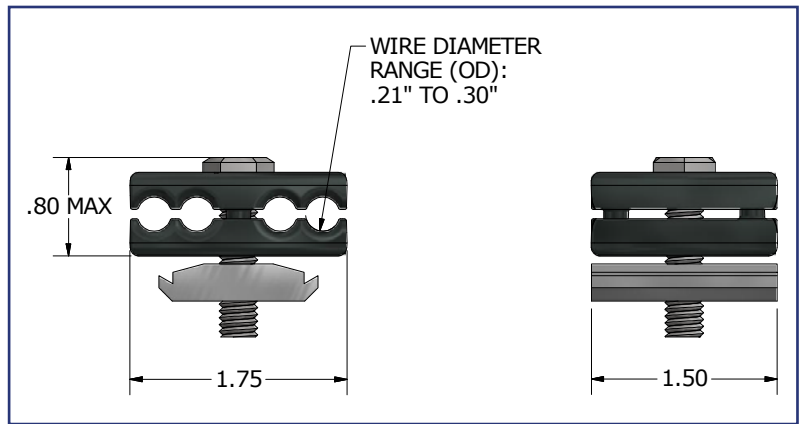
### Junction Box Dimensions



### Trunk Cable Clamp Dimensions



### 4-Wire Clamp Dimensions



### WIRE MANAGEMENT TECHNICAL DATA

#### Wire Retention Clip

#### 4-Wire Clamp

#### Trunk Cable Clamp

#### Junction Box

#### Materials

UV-resistant polymer

- UV-resistant polymer
- Aluminum and stainless steel

Polycarbonate

- Box: Polycarbonate
- Gasket: Rubber

#### Rated

Junction Box: Nema 4X and UL 50

#### Torque

16 ft-lbs

#### Specification